

# BRONTO SI 219 HDT (Insulated)



## KEY FEATURES

- 219 ft / 67 m vertical reach
- 2019 TOR, Allison 7 speed
- Fiberglass boom section with Corona Ring
- Meets emissions laws for all states, including CA

## INTEGRATED FEATURES

- Dielectric testing 500 kV
- Redundant operating systems
- Automatic outrigger leveling
- Hydraulic oil cooler
- Optional enhanced light package
- Optional 360 degree drawer camera

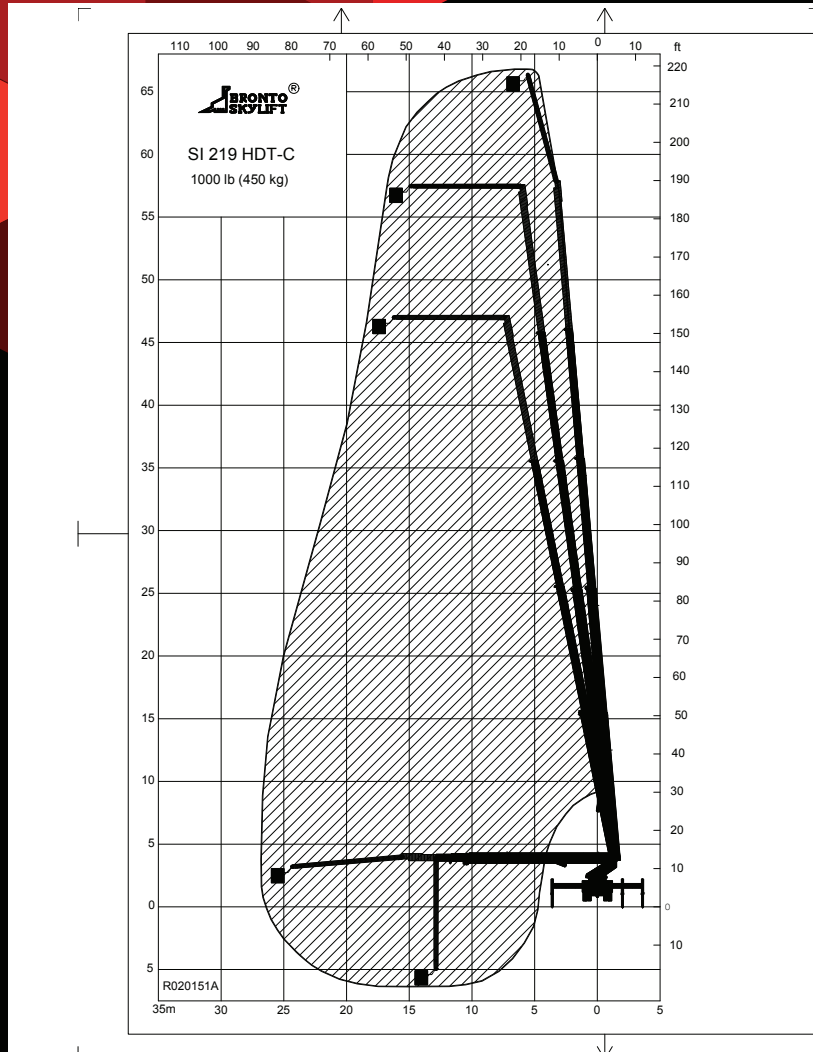
## AERIAL DATA

Max Platform Height:	213 ft / 58 m
Max Outreach:	85 ft / 26 m
Basket capacity:	1900 lbs / 860 kg
Turntable rotation:	360°

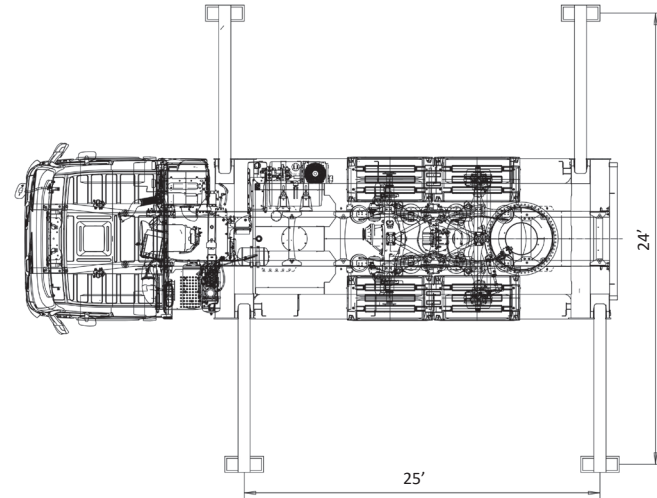
## CHASSIS DATA

Model:	2019 TOR
Engine:	Cummins 505 HP @ 1800 RPM
Front Axle Capacity (each):	21,000 lbs / 9,525 kg
Rear Axle (3) Capacity:	64,000 lbs / 29,029 kg
Gross Vehicle Weight (GVW):	91,500 lbs / 41,500 kg

# 219 HDT WORKING ENVELOPE



# OUTRIGGER FOOTPRINT



# AXLE WEIGHT & SPACINGS

