



Bronto Skylift SI 197 HDT



The SI 197 is an **insulated aerial work platform** with a maximum working height of 197 feet.

Equipped with the following:

- Dielectric testing 500 kVa
- Extendable Basket (7ft to 10ft)
- Remote "Compass" diagnostics
- Redundant operating systems
- Automatic outrigger leveling
- Tool circuit platform
- Hydraulic oil cooler
- Integrated wind speed indicator
- Two (2) 5/8 in-basket auxiliary lines
- 11,000 watt Miller generator (opt)
- Enhanced light package (opt.)
- 360° drawer camera (opt.)

...And more

Aerial Specifications

- Max. working height: 197 ft (60 m)
- Max. height platform: 190 ft (58.0 m)
- Max. working outreach: 72 ft (22.7 m)
- Platform capacity: 1000 lbs (440 kg)
- Turntable rotation, continuous: 360°

Chassis Specifications:

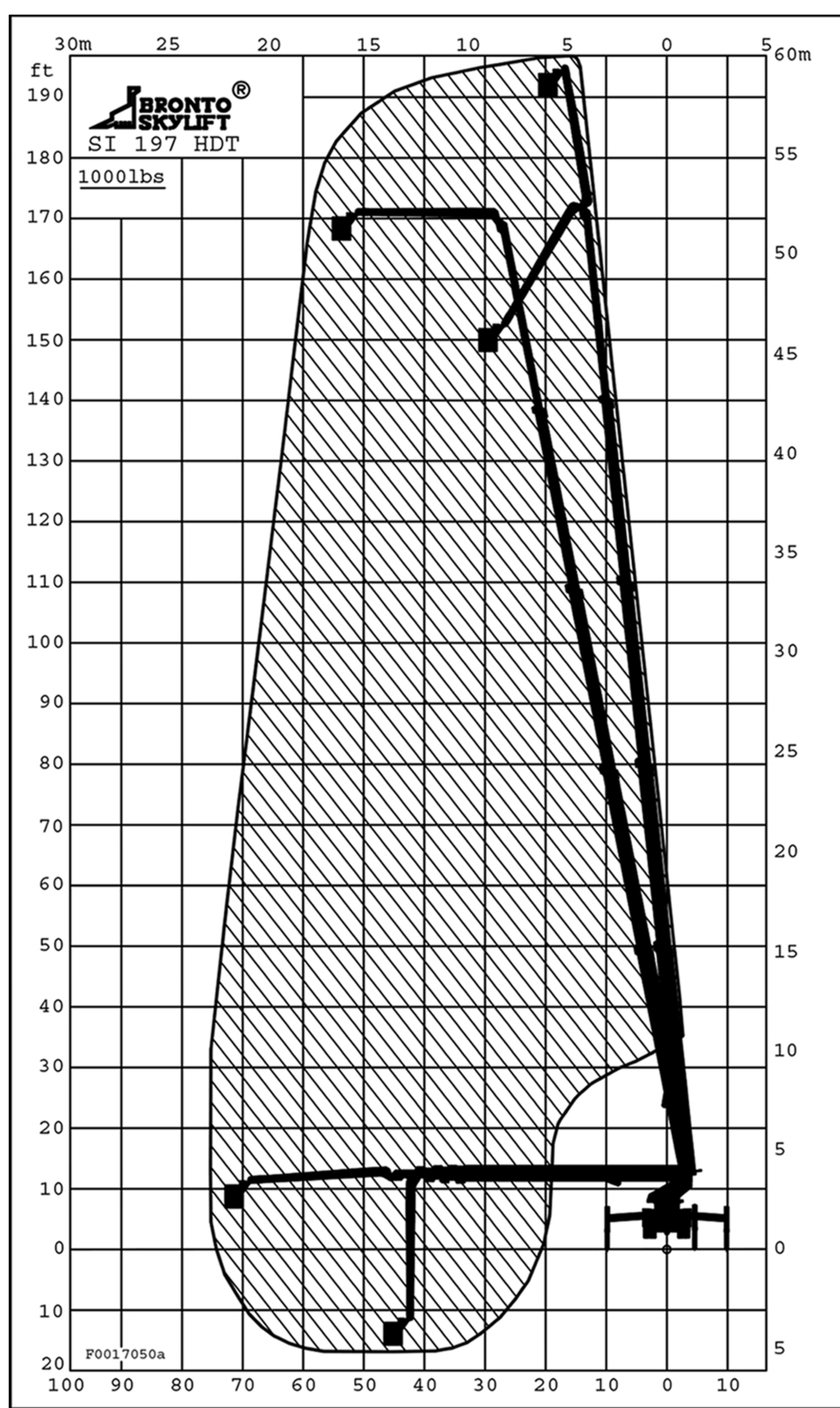
Model: 2018 TOR

Engine: Cummins
X15 - 2017 EPA/CARB
505 HP @ 1800 RPM

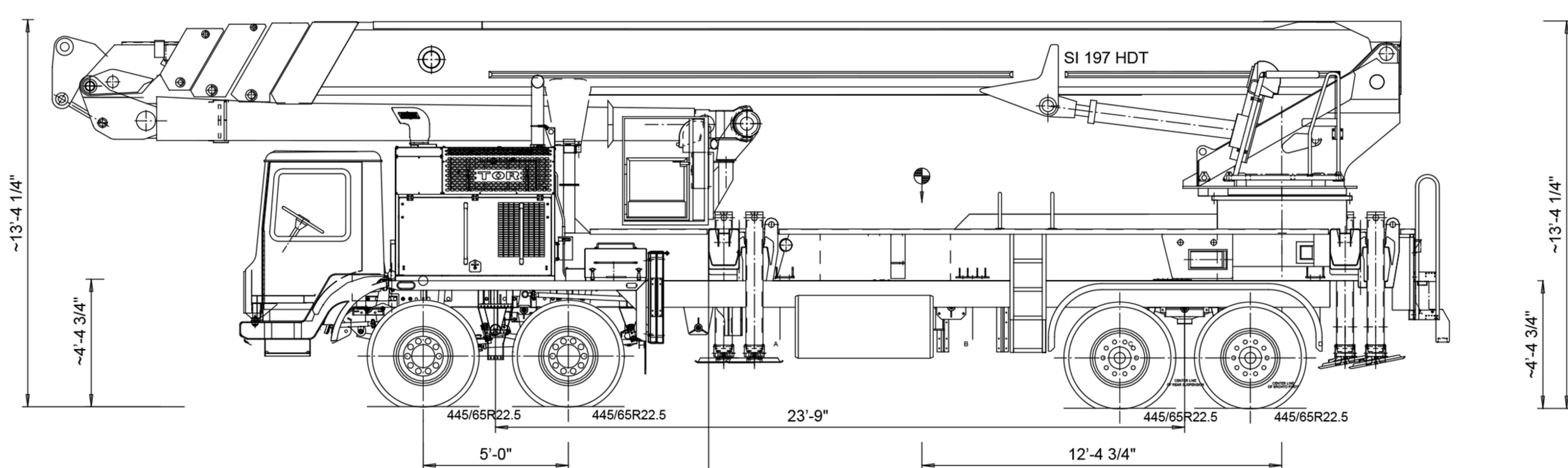
Transmission:
Allison 7 speed

Front Axle Capacity: 21,000 lbs. (each)
Rear Axle Capacity: 21,000 lbs. (each)

Height: 13.3 ft (4.05 m)
Length: 47.2 ft (14.4 m)
Width: 96 in (2.5 m)
Weight: 77,000 lbs (35,000 kg)



46'-10 1/4"



Safety. Efficiency. Reliability.